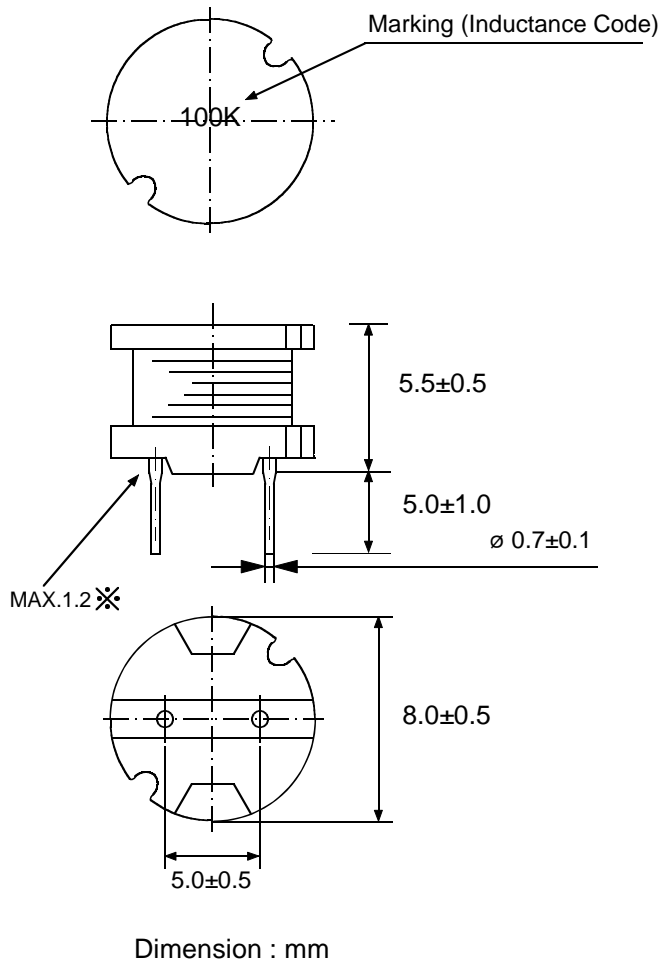


### Special Features

- High current capacity
- Ferrite bobbin core
- Low core loss at frequency
- High reliability, efficiency
- Fixed lead spacing
- Operating temperature -25 to +85 °C
- Current to cause maximum 10% of inductance drop, or 40°C temperature rise



RL8555 Series				
Part Number	L (uH) ±10%	Test Freq.	DCR (Ω) Max.	I, DC (mA)
RL8555-100K	10	1KHz	0.05	2500
RL8555-120K	12	1KHz	0.055	2300
RL8555-150K	15	1KHz	0.072	2100
RL8555-180K	18	1KHz	0.08	1900
RL8555-220K	22	1KHz	0.10	1700
RL8555-270K	27	1KHz	0.12	1500
RL8555-330K	33	1KHz	0.14	1400
RL8555-390K	39	1KHz	0.16	1300
RL8555-470K	47	1KHz	0.19	1200
RL8555-560K	56	1KHz	0.23	1000
RL8555-680K	68	1KHz	0.29	960
RL8555-820K	82	1KHz	0.35	880
RL8555-101K	100	1KHz	0.40	800
RL8555-121K	120	1KHz	0.50	720
RL8555-151K	150	1KHz	0.60	660
RL8555-181K	180	1KHz	0.80	620
RL8555-221K	220	1KHz	0.90	600
RL8555-271K	270	1KHz	1.10	480
RL8555-331K	330	1KHz	1.20	450
RL8555-391K	390	1KHz	1.60	420
RL8555-471K	470	1KHz	1.80	380
RL8555-561K	560	1KHz	2.20	340
RL8555-681K	680	1KHz	2.60	300
RL8555-821K	820	1KHz	3.00	280
RL8555-102K	1000	1KHz	4.00	250
RL8555-122K	1200	1KHz	4.70	220
RL8555-152K	1500	1KHz	6.50	190
RL8555-182K	1800	1KHz	7.20	180
RL8555-222K	2200	1KHz	8.60	170
RL8555-272K	2700	1KHz	10.0	160
RL8555-332K	3300	1KHz	13.0	150
RL8555-392K	3900	1KHz	15.0	140
RL8555-472K	4700	1KHz	17.0	120
RL8555-562K	5600	1KHz	23.0	100
RL8555-682K	6800	1KHz	26.0	96
RL8555-822K	8200	1KHz	36.0	80
RL8555-103K	10,000	1KHz	42.0	72

\* All specifications are subject to change without notice.

※ The recommended diameter of the PCB mounting hole to be 1.2mm for the ultra thick wire used for the inductance range from 10μH ~ 180μH.