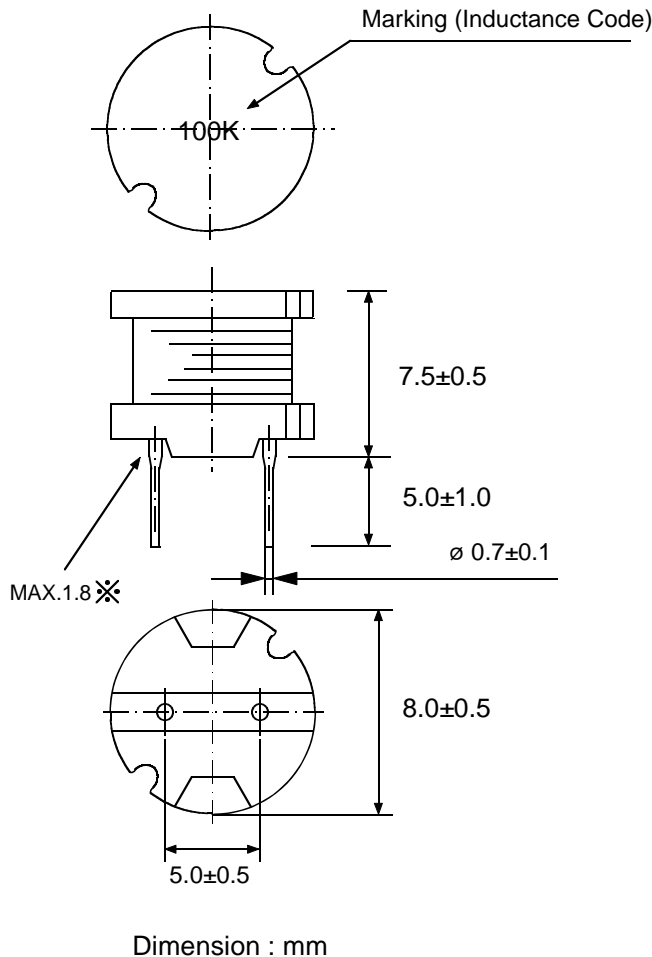


Special Features

- High current capacity
- Ferrite bobbin core
- Low core loss at frequency
- High reliability, efficiency
- Fixed lead spacing
- Operating temperature -25 to +85 °C
- Current to cause maximum 10% of inductance drop, or 40°C temperature rise



RL8575 Series				
Part Number	L (uH) ±10%	Test Freq.	DCR (Ω) Max.	I, DC (mA)
RL8575-100K	10	1KHz	0.0348	2200
RL8575-120K	12	1KHz	0.0405	2000
RL8575-150K	15	1KHz	0.0458	1800
RL8575-180K	18	1KHz	0.058	1600
RL8575-220K	22	1KHz	0.0681	1400
RL8575-270K	27	1KHz	0.0844	1300
RL8575-330K	33	1KHz	0.0977	1100
RL8575-390K	39	1KHz	0.12	1000
RL8575-470K	47	1KHz	0.13	960
RL8575-260K	56	1KHz	0.16	880
RL8575-680K	68	1KHz	0.18	800
RL8575-820K	82	1KHz	0.20	770
RL8575-101K	100	1KHz	0.25	690
RL8575-120K	120	1KHz	0.30	640
RL8575-151K	150	1KHz	0.38	620
RL8575-181K	180	1KHz	0.46	520
RL8575-221K	220	1KHz	0.54	480
RL8575-271K	270	1KHz	0.70	420
RL8575-331K	330	1KHz	0.79	390
RL8575-391K	390	1KHz	0.96	350
RL8575-471K	470	1KHz	1.16	320
RL8575-561K	560	1KHz	1.32	290
RL8575-681K	680	1KHz	1.7	240
RL8575-821K	820	1KHz	1.9	220
RL8575-102K	1000	1KHz	2.5	200
RL8575-122K	1200	1KHz	3.0	180
RL8575-152K	1500	1KHz	3.5	170
RL8575-182K	1800	1KHz	4.2	150
RL8575-222K	2200	1KHz	4.9	140
RL8575-272K	2700	1KHz	6.2	120
RL8575-332K	3300	1KHz	7.8	110
RL8575-392K	3900	1KHz	10.3	100
RL8575-472K	4700	1KHz	11.8	90
RL8575-562K	5600	1KHz	13.2	80
RL8575-682K	6800	1KHz	16.2	75
RL8575-822K	8200	1KHz	21.0	68
RL8575-103K	10,000	1KHz	24.6	64

* All specifications are subject to change without notice.

※ The recommended diameter of PCB mounting hole to be 1.8mm for the ultra thick wire used for the inductance range from 10μH ~ 330μH.