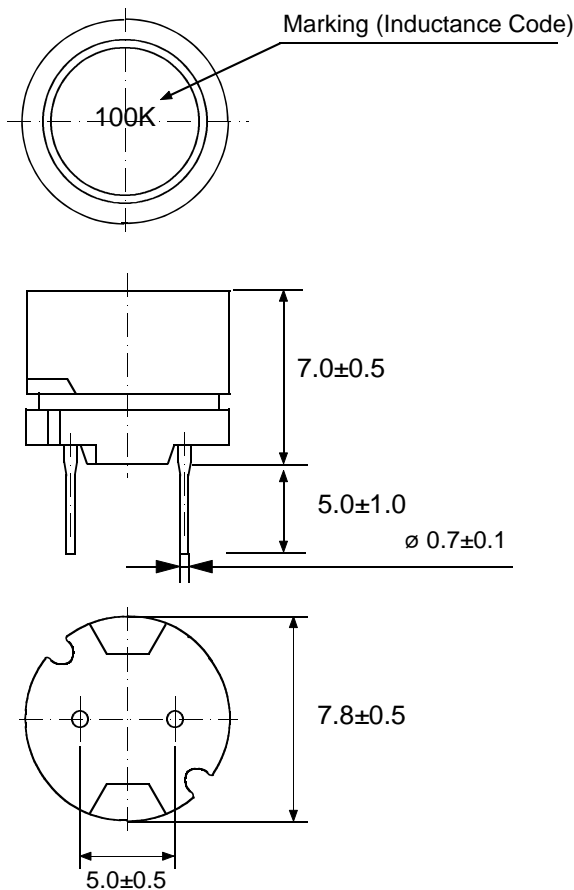


Special Features

- Magnetic shielded
- Ferrite bobbin core
- Low core loss at frequency
- High reliability, efficiency
- Fixed lead spacing
- Operating temperature -30 to +100 °C



Dimension : mm

RLS8375 Series

Part Number	L (uH) ±20%	Test Freq.	DCR (Ω) Max.	Rated Current	
				Idc1 (A)	Idc2 (A)
RLS8375-220M	22	1KHz	0.097	2.48	2.0
RLS8375-270M	27	1KHz	0.13	2.08	1.75
RLS8375-330M	33	1KHz	0.14	2.0	1.7
RLS8375-390M	39	1KHz	0.17	1.68	1.5
RLS8375-470M	47	1KHz	0.21	1.6	1.32
RLS8375-560M	56	1KHz	0.23	1.44	1.11
RLS8375-680M	68	1KHz	0.28	1.36	1.0
RLS8375-820M	82	1KHz	0.4	1.28	0.92
±15%					
RLS8375-101L	100	1KHz	0.45	1.12	0.84
RLS8375-121L	120	1KHz	0.5	1.04	0.8
RLS8375-151L	150	1KHz	0.63	0.96	0.72
RLS8375-181L	180	1KHz	0.68	0.88	0.7
RLS8375-221L	220	1KHz	0.91	0.75	0.53
RLS8375-271L	270	1KHz	1.0	0.7	0.51
RLS8375-331L	330	1KHz	1.2	0.65	0.44
RLS8375-391L	390	1KHz	1.3	0.56	0.42
RLS8375-471L	470	1KHz	1.7	0.53	0.37
RLS8375-561L	560	1KHz	2.1	0.42	0.33
RLS8375-681L	680	1KHz	2.3	0.41	0.31
RLS8375-821L	820	1KHz	3.1	0.38	0.28
±10%					
RLS8375-102K	1000	1KHz	3.9	0.35	0.24
RLS8375-122K	1200	1KHz	4.3	0.33	0.22
RLS8375-152K	1500	1KHz	5.8	0.27	0.18
RLS8375-182K	1800	1KHz	7.1	0.26	0.17
RLS8375-222K	2200	1KHz	7.9	0.24	0.16
RLS8375-272K	2700	1KHz	11.0	0.2	0.14
RLS8375-332K	3300	1KHz	12.0	0.18	0.13
RLS8375-392K	3900	1KHz	16.1	0.17	0.12
RLS8375-472K	4700	1KHz	18.1	0.16	0.11
RLS8375-562K	5600	1KHz	25.4	0.14	0.095
RLS8375-682K	6800	1KHz	28.8	0.13	0.085
RLS8375-822K	8200	1KHz	41.8	0.12	0.075
RLS8375-103K	10,000	1KHz	46.8	0.11	0.07

* Idc1: Current to cause maximum 10% of inductance drop

* Idc2: Current to cause 40°C temperature rise

* All specifications are subject to change without notice.