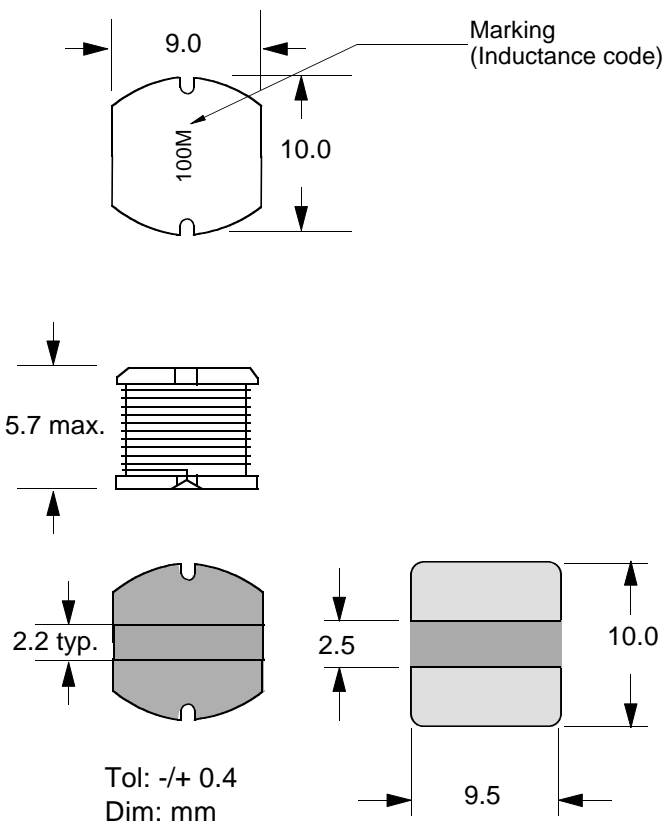


Special Features

- High current capacity
- Ferrite bobbin core
- Low core loss at high frequency power application
- Compact size
- Large terminal surface for good PCB bonding
- Operating temperature -30 to +100 °C
- Current to cause maximum 10% of inductance drop, or 40°C temperature rise
- Tape & reel packaged 750/reel



SD105 Series					
Part Number	L (uH) ±20%	Test Freq.	SRF (MHz) Typ.	DCR (Ω) Max.	I, DC (A)
SD105-100M	10	1KHz	27	0.04	3.50
SD105-120M	12	1KHz	23	0.05	3.03
SD105-150M	15	1KHz	20	0.06	2.87
SD105-180M	18	1KHz	18	0.07	2.48
SD105-220M	22	1KHz	17	0.08	2.32
SD105-270M	27	1KHz	14	0.10	2.06
SD105-330M	33	1KHz	13	0.11	1.82
SD105-390M	39	1KHz	12	0.12	1.68
±10%					
SD105-470K	47	1KHz	10	0.15	1.54
SD105-560K	56	1KHz	9	0.17	1.44
SD105-680K	68	1KHz	9	0.21	1.27
SD105-820K	82	1KHz	8	0.24	1.18
SD105-101K	100	1KHz	7	0.33	1.05
SD105-121K	120	1KHz	6	0.37	0.95
SD105-151K	150	1KHz	6	0.43	0.88
SD105-181K	180	1KHz	5	0.58	0.79
SD105-221K	220	1KHz	5	0.65	0.73
SD105-271K	270	1KHz	4	0.88	0.64
SD105-331K	330	1KHz	4	1.05	0.60
SD105-391K	390	1KHz	4	1.2	0.54
SD105-471K	470	1KHz	3	1.3	0.50
SD105-561K	560	1KHz	3	1.7	0.46
SD105-681K	680	1KHz	3	2.00	0.42
SD105-821K	820	1KHz	3	2.25	0.39

* All specifications are subject to change without notice.