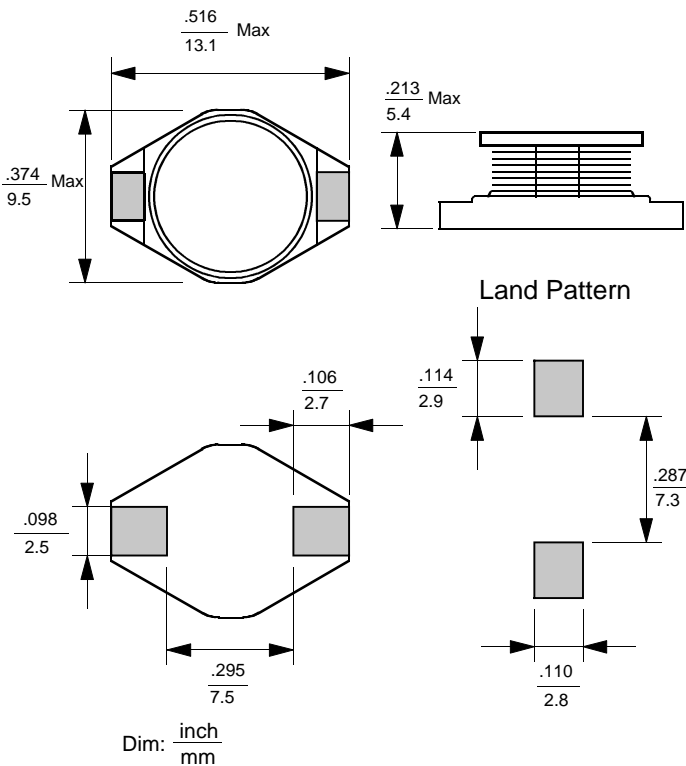


SMT Power Inductors - SD135 Series

Special Features

- High current capacity
- High heat resistance, ideal for reflow soldering
- Low DC resistance
- High reliability, efficiency
- Compact size
- Operating temperature -55 to +105 °C
- Saturation DC current to cause maximum 10% of inductance drop
- Test frequency 100KHz @1.0Vrms (1.0μH ~6.8μH)
1KHz @1.0Vrms (10μH~1mH)
- Rms current to cause 40°C max. temperature rise
- Tape & reel packaged 1000/reel



Electrical Characteristics

Part Number	Inductance (μH ±20%)	DCR max. (Ω)	Isat (A)	Irms (A rms)
SD135-1R0M	1.0	.009	9.9	7.2
SD135-1R5M	1.5	.010	9.6	7.0
SD135-2R0M	2.0	.012	8.1	6.4
SD135-3R3M	3.3	.015	6.6	5.4
SD135-4R7M	4.7	.018	5.4	4.8
SD135-6R8M	6.8	.027	4.6	4.4
SD135-100M	10	.038	3.8	3.9
SD135-150M	15	.046	3.0	3.1
SD135-220M	22	.085	2.6	2.7
SD135-330M	33	.10	2.1	2.1
SD135-470M	47	.14	1.7	1.8
SD135-680M	68	.20	1.4	1.5
SD135-101M	100	.28	1.2	1.3
SD135-151M	150	.40	1.0	1.0
SD135-221M	220	.61	.8	.8
SD135-331M	330	.95	.66	.6
SD135-471M	470	1.27	.53	.5
SD135-681M	680	2.02	.45	.4
SD135-102M	1000	3.00	.36	.3

* All specifications are subject to change without notice.