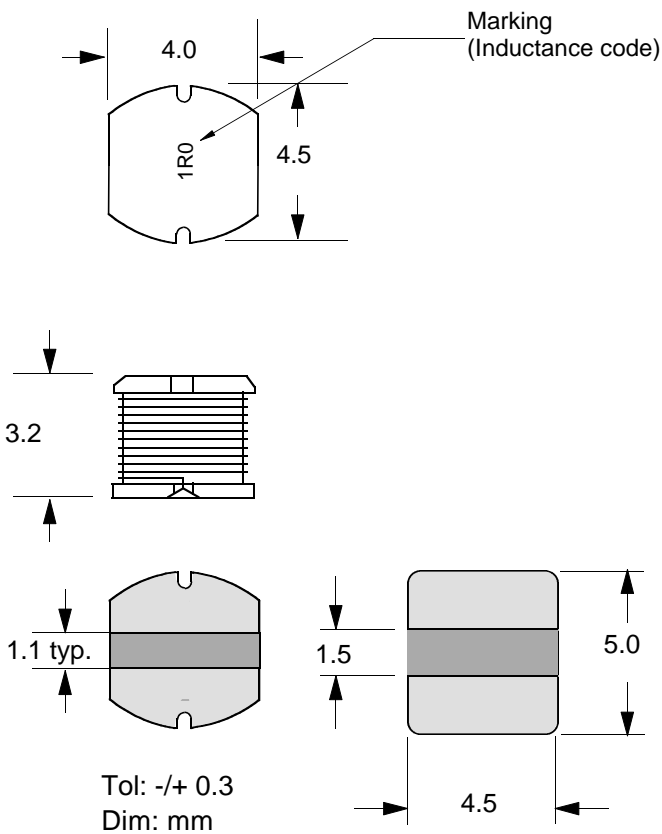


## Special Features

- High current capacity
- Ferrite bobbin core
- Low core loss at high frequency power application
- Compact size
- Large terminal surface for good PCB bonding
- Operating temperature -30 to +100 °C
- Current to cause maximum 10% of inductance drop, or 40°C temperature rise
- Tape & reel packaged 1500/reel



## SD43Series

Part Number	L (uH) ±20%	Test Freq.	SRF (MHz) Typ.	DCR (mΩ) Max.	I, DC (A)
SD43-1R0M	1.0	100KHz	126.5	32.5	2.7
SD43-1R3M	1.3	100KHz	104.5	38.0	2.6
SD43-1R7M	1.7	100KHz	90	43.5	2.5
SD43-2R0M	2.0	100KHz	80.5	49.0	2.4
SD43-2R5M	2.5	100KHz	72	54.5	2.3
SD43-3R0M	3.0	100KHz	69	60.0	2.2
SD43-3R7M	3.7	100KHz	47	82.5	1.8
SD43-4R7M	4.7	100KHz	41	96.5	1.7
SD43-5R6M	5.6	100KHz	37.5	104	1.6
SD43-6R8M	6.8	100KHz	31.5	120	1.5
SD43-8R2M	8.2	100KHz	31	131	1.4
SD43-100M	10	1KHz	39.5	143	1.1
SD43-120M	12	1KHz	35.0	161	0.99
SD43-150M	15	1KHz	30.5	186	0.9
SD43-180M	18	1KHz	28	264	0.79
SD43-220M	22	1KHz	25	302	0.74
SD43-270M	27	1KHz	18.5	378	0.67
±10%					
SD43-330K	33	1KHz	17	430	0.6
SD43-390K	39	1KHz	15.5	490	0.55
SD43-470K	47	1KHz	15	712	0.48
SD43-560K	56	1KHz	14.5	787	0.44
SD43-680K	68	1KHz	13	871	0.40

\* All specifications are subject to change without notice.