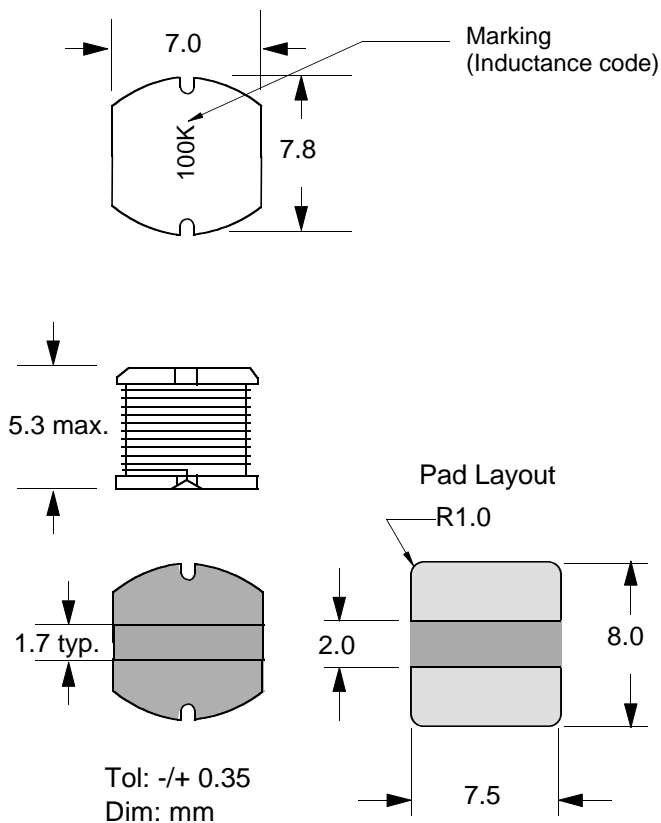


Special Features

- High current capacity
- Ferrite bobbin core
- Low core loss at high frequency power application
- Compact size
- Large terminal surface for good PCB bonding
- Operating temperature -30 to +100 °C
- Current to cause maximum 10% of inductance drop, or 40°C temperature rise
- Tape & reel packaged 750/reel



SD75 Series					
Part Number	L (uH) ±10%	Test Freq.	SRF (MHz) Typ.	DCR (Ω) Max.	I, DC (A)
SD75-100K	10	1KHz	26	0.052	2.30
SD75-120K	12	1KHz	24	0.061	2.00
SD75-150K	15	1KHz	22	0.07	1.80
SD75-180K	18	1KHz	20	0.08	1.60
SD75-220K	22	1KHz	19	0.089	1.50
SD75-270K	27	1KHz	13	0.12	1.30
SD75-330K	33	1KHz	12	0.13	1.20
SD75-390K	39	1KHz	12	0.16	1.10
SD75-470K	47	1KHz	12	0.18	1.10
SD75-560K	56	1KHz	10	0.24	0.94
SD75-680K	68	1KHz	10	0.28	0.85
SD75-820K	82	1KHz	9	0.37	0.78
SD75-101K	100	1KHz	8	0.43	0.72
SD75-121K	120	1KHz	8	0.47	0.66
SD75-151K	150	1KHz	6	0.64	0.58
SD75-181K	180	1KHz	6	0.71	0.51
SD75-221K	220	1KHz	5	0.96	0.49
SD75-271K	270	1KHz	5	1.11	0.42
SD75-331K	330	1KHz	4	1.26	0.40
SD75-391K	390	1KHz	4	1.77	0.36
SD75-471K	470	1KHz	4	1.96	0.34

* All specifications are subject to change without notice.