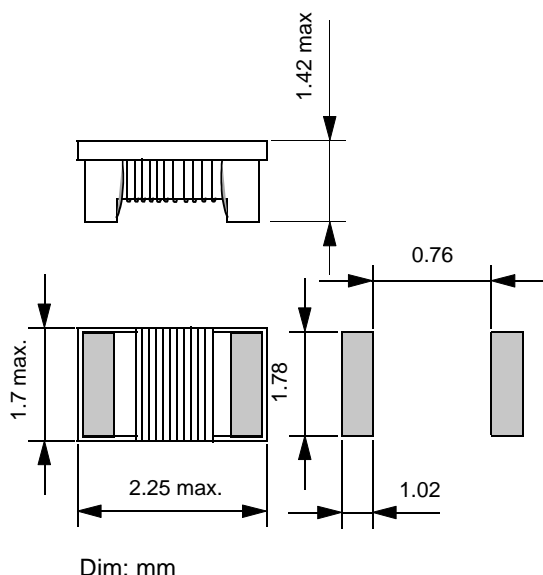


Chip Inductors

CI series CI0805 Type

Special Features

- Ceramic core, wire wound for superior reliability
- High self-resonant frequency
- Stable electrical characteristic
- Flat top surface for automated pick & place
- These ultra-compact inductors provide exceptional Q values, even at high frequencies
- Current to cause 20° C maximum temperature rise
- Operating temperature -55 to +125 °C



CI0805 Series								
Part Number	L (nH)	Tolerance	Q min.	Test Freq. L / Q (MHz)	SRF (MHz) min.	DCR (Ω) Max.	I, DC (mA) Max.	
CI0805-2N7	2.7	J,K	80	250/1500	7900	0.06	800	
CI0805-3N0	3.0	J,K	65	250/1500	7900	0.06	800	
CI0805-3N3	3.3	J,K	50	250/1500	7900	0.10	600	
CI0805-5N6	5.6	J,K	65	250/1000	5500	0.08	600	
CI0805-6N8	6.8	J,K	50	250/1000	5500	0.11	600	
CI0805-7N5	7.5	J,K	50	250/1000	4500	0.14	600	
CI0805-8N2	8.2	G,J,K	50	250/1000	4700	0.12	600	
CI0805-10N	10.0	G,J,K	60	250/500	4200	0.10	600	
CI0805-12N	12.0	G,J,K	50	250/500	4000	0.15	600	
CI0805-15N	15.0	G,J,K	50	250/500	3400	0.17	600	
CI0805-18N	18.0	G,J,K	50	250/500	3300	0.20	600	
CI0805-22N	22.0	G,J,K	55	250/500	2600	0.22	500	
CI0805-24N	24.0	G,J,K	50	250/500	2000	0.22	500	
CI0805-27N	27.0	G,J,K	55	250/500	2500	0.25	500	
CI0805-33N	33.0	G,J,K	60	250/500	2050	0.27	500	
CI0805-36N	36.0	G,J,K	55	250/500	1700	0.27	500	
CI0805-39N	39.0	G,J,K	60	250/500	2000	0.29	500	
CI0805-43N	43.0	G,J,K	60	250/500	1650	0.34	500	
CI0805-47N	47.0	G,J,K	60	200/500	1650	0.31	500	
CI0805-56N	56.0	G,J,K	60	200/500	1550	0.34	500	
CI0805-68N	68.0	G,J,K	60	200/500	1450	0.38	500	
CI0805-82N	82.0	G,J,K	65	150/500	1300	0.42	400	
CI0805-91N	91.0	G,J,K	65	150/500	1200	0.48	400	
CI0805-R10	100	G,J,K	65	150/500	1200	0.46	400	
CI0805-R11	110	G,J,K	50	150/250	1000	0.48	400	
CI0805-R12	120	G,J,K	50	150/250	1100	0.51	400	
CI0805-R15	150	G,J,K	50	100/250	920	0.56	400	
CI0805-R18	180	G,J,K	50	100/250	870	0.64	400	
CI0805-R22	220	G,J,K	50	100/250	850	0.70	400	
CI0805-R24	240	G,J,K	44	100/250	690	1.0	350	
CI0805-R27	270	G,J,K	48	100/250	650	1.0	350	
CI0805-R33	330	G,J,K	48	100/250	600	1.4	310	
CI0805-R39	390	G,J,K	48	100/250	560	1.5	290	
CI0805-R47	470	J,K	33	50/100	375	1.76	250	
CI0805-R56	560	J,K	23	25/50	340	1.90	230	
CI0805-R68	680	J,K	23	25/50	188	2.20	190	
CI0805-R82	820	J,K	23	25/50	215	2.35	180	
CI0805-1R0	1000	J,K	23	25/50	282	6.90	92	

* Please specify tolerance when order.

Inductance tolerance: G=±2%, J=±5%, K=±10%

* All specifications are subject to change without notice.