

Coated Radial Lead Inductors

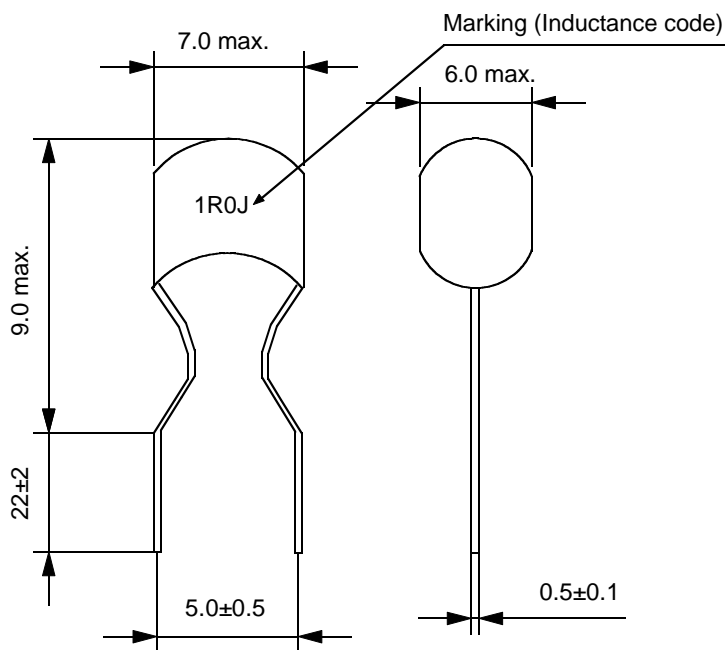
CRL07 series

Special Features

- High Q-characteristic has been achieved in the miniature winding construction
- Operating temperature -20 to +105 °C including self temperature rise 20 °C
- Dielectric withstand voltage 250Vrms
- Current to cause maximum 10% of inductance drop

Applications

- Televisions, VTRs, personal computers, or other various electronic appliances



Dimension : mm

CRL07 Series						
Part Number	L (uH) ±10%	Test Freq.	DCR (Ω) Max.	I, DC (A)	S.R.F. (MHz) min.	Q min.
CRL07-R22K	0.22	25.2MHz	0.15	0.82	150	50
CRL07-R27K	0.27	25.2MHz	0.15	0.82	150	50
CRL07-R33K	0.33	25.2MHz	0.15	0.82	150	50
CRL07-R39K	0.39	25.2MHz	0.15	0.82	130	50
CRL07-R47K	0.47	25.2MHz	0.15	0.82	130	50
CRL07-R56K	0.56	25.2MHz	0.2	0.71	130	50
CRL07-R68K	0.68	25.2MHz	0.2	0.71	120	50
CRL07-R82K	0.82	25.2MHz	0.2	0.71	120	50
±5%						
CRL07-1R0J	1.0	7.96MHz	0.2	0.71	100	50
CRL07-1R2J	1.2	7.96MHz	0.21	0.71	85	50
CRL07-1R5J	1.5	7.96MHz	0.25	0.68	70	50
CRL07-1R8J	1.8	7.96MHz	0.28	0.68	60	50
CRL07-2R2J	2.2	7.96MHz	0.3	0.64	55	50
CRL07-2R7J	2.7	7.96MHz	0.32	0.61	50	50
CRL07-3R3J	3.3	7.96MHz	0.34	0.58	45	50
CRL07-3R9J	3.9	7.96MHz	0.38	0.56	40	50
CRL07-4R7J	4.7	7.96MHz	0.42	0.54	35	50
CRL07-5R6J	5.6	7.96MHz	0.44	0.52	33	50
CRL07-6R8J	6.8	7.96MHz	0.49	0.5	27	50
CRL07-8R2J	8.2	7.96MHz	0.53	0.47	25	50
CRL07-100J	10	2.52MHz	0.8	0.36	20	50
CRL07-120J	12	2.52MHz	0.9	0.34	17	50
CRL07-150J	15	2.52MHz	1	0.32	12.5	50
CRL07-180J	18	2.52MHz	1.2	0.29	11.9	50
CRL07-220J	22	2.52MHz	1.4	0.27	11.4	50
CRL07-270J	27	2.52MHz	1.7	0.25	10.3	50
CRL07-330J	33	2.52MHz	2	0.23	8.6	50
CRL07-390J	39	2.52MHz	2.4	0.21	7.8	50
CRL07-470J	47	2.52MHz	2.7	0.2	7.3	50
CRL07-560J	56	2.52MHz	2.9	0.19	7.2	50
CRL07-680J	68	2.52MHz	3.1	0.18	7	50
CRL07-820J	82	2.52MHz	3.3	0.18	6	50
CRL07-101J	100	796KHz	3.3	0.18	5.9	45
CRL07-121J	120	796KHz	3.5	0.17	5.8	45
CRL07-151J	150	796KHz	3.7	0.17	5.2	45
CRL07-181J	180	796KHz	4	0.16	5	45
CRL07-221J	220	796KHz	5.2	0.14	3.7	45
CRL07-271J	270	796KHz	5.8	0.14	3.4	45
CRL07-331J	330	796KHz	6.5	0.13	3.1	45
CRL07-391J	390	796KHz	7.5	0.12	2.9	45
CRL07-471J	470	796KHz	8	0.12	2.5	45
CRL07-561J	560	796KHz	12.5	0.09	2.3	45
CRL07-681J	680	796KHz	14	0.085	2.1	45
CRL07-821J	820	796KHz	15.5	0.08	2	45
CRL07-102J	1000	252KHz	18.5	0.075	1.7	40
CRL07-122J	1200	252KHz	29	0.06	1.6	30
CRL07-152J	1500	252KHz	34	0.055	1.5	30
CRL07-182J	1800	252KHz	37	0.055	1.4	30
CRL07-222J	2200	252KHz	42	0.050	1.1	30