

# Coated Radial Lead Inductors

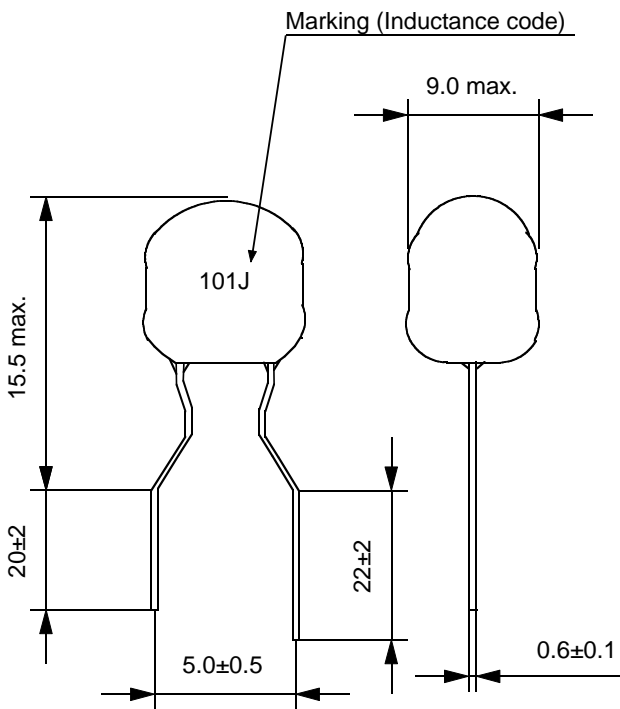
# CRL09 series

### Special Features

- High Q-characteristic has been achieved in the miniature winding construction
- Operating temperature -20 to +105 °C including self temperature rise 20 °C
- Dielectric withstand voltage 250Vrms
- Current to cause maximum 10% of inductance drop

### Applications

- Televisions, VTRs, personal computers, or other various electronic appliances



Dimension : mm

CRL09 Series						
Part Number	L (uH) ±5%	Test Freq.	DCR (Ω) Max.	I, DC (mA)	S.R.F. (MHz) min.	Q min.
CRL09-101J	100	796KHz	0.85	343	4.3	55
CRL09-121J	120	796KHz	0.95	324	3.7	55
CRL09-151J	150	796KHz	1.05	309	3.4	55
CRL09-181J	180	796KHz	1.15	295	3.3	55
CRL09-221J	220	796KHz	1.3	277	2.3	50
CRL09-271J	270	796KHz	1.5	258	2.0	50
CRL09-331J	330	796KHz	1.7	243	1.95	50
CRL09-391J	390	796KHz	1.85	232	1.85	50
CRL09-471J	470	796KHz	2.3	209	1.57	45
CRL09-561J	560	796KHz	2.55	198	1.5	45
CRL09-681J	680	796KHz	2.85	187	1.4	40
CRL09-821J	820	796KHz	3.1	180	1.32	35
CRL09-102J	1000	252KHz	4.1	156	1.25	60
CRL09-122J	1200	252KHz	4.7	146	1.2	60
CRL09-152J	1500	252KHz	5.8	131	1.0	60
CRL09-182J	1800	252KHz	7.4	116	0.95	60
CRL09-222J	2200	252KHz	8.4	109	0.9	65
CRL09-272J	2700	252KHz	11.2	94	0.84	65
CRL09-332J	3300	252KHz	14.7	82	0.75	65
CRL09-392J	3900	252KHz	19.5	72	0.67	65
CRL09-472J	4700	252KHz	21.5	68	0.62	65
CRL09-562J	5600	252KHz	24.5	64	0.57	60
CRL09-682J	6800	252KHz	32.5	55	0.47	60
CRL09-822J	8200	252KHz	38	51	0.43	55
CRL09-103J	10000	79.6KHz	43	48	0.38	50
CRL09-123J	12000	79.6KHz	62	40	0.37	50
CRL09-153J	15000	79.6KHz	74	37	0.33	50
CRL09-183J	18000	79.6KHz	103	31	0.29	50
CRL09-223J	22000	79.6KHz	118	29	0.26	50
CRL09-273J	27000	79.6KHz	131	28	0.25	50
CRL09-333J	33000	79.6KHz	185	23	0.25	50
CRL09-393J	39000	79.6KHz	205	22	0.23	40
CRL09-473J	47000	79.6KHz	260	20	0.21	35
CRL09-563J	56000	79.6KHz	295	18	0.2	35

\* All specifications are subject to change without notice.