

# SMT Power Inductors - SD63 Series

## Special Features

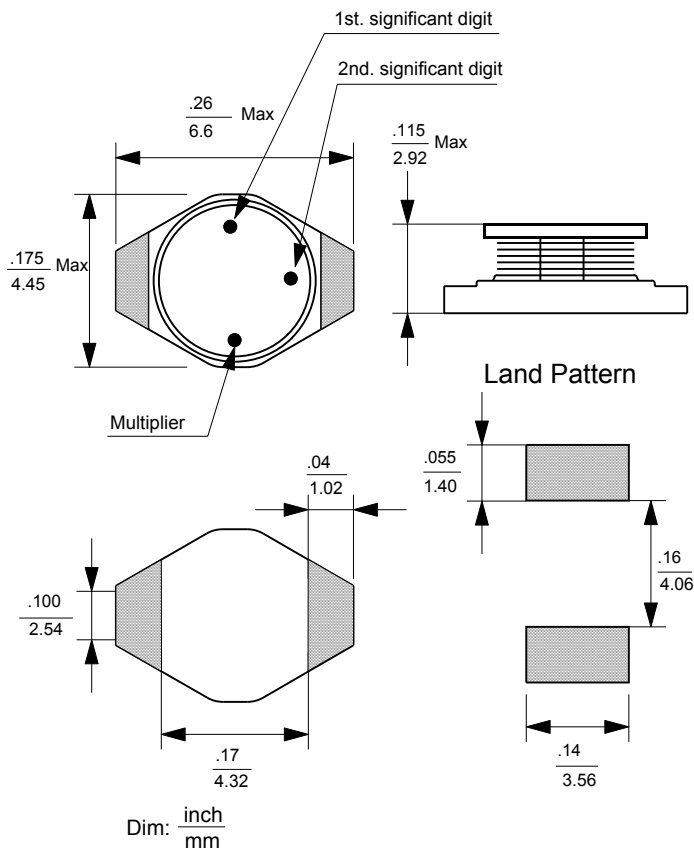
- High energy storage capacity
- High heat resistance, ideal for reflow soldering
- Low DC resistance
- High reliability, efficiency
- Compact size
- Operating temperature -40 to +85 °C
- Saturation DC current to cause maximum 10% of inductance drop
- Test frequency 100KHz @0.1Vrms
- Rms current to cause 15°C max. temperature rise
- Tape & reel packaged 2000/reel

## Color Code

| Color  | 1st & 2nd Significant Figure | Multiplier |
|--------|------------------------------|------------|
| Black  | 0                            | 1          |
| Brown  | 1                            | 10         |
| Red    | 2                            | 100        |
| Orange | 3                            | 1000       |
| Yellow | 4                            |            |
| Green  | 5                            |            |
| Blue   | 6                            |            |
| Violet | 7                            |            |
| Gray   | 8                            |            |
| White  | 9                            |            |

## Typical Applications

- Cell phones, PDAs, Pagers, Flash memory programmers, Notebook computers, battery chargers, DC-DC converters, Network cards, Switching boards, Industrial electronics, Entertainment electronics devices



## Electrical Characteristics

| Part Number | Inductance<br>( $\mu\text{H} \pm 20\%$ ) | DCR<br>max.<br>( $\Omega$ ) | Isat<br>(A) | Irms<br>(A rms) |
|-------------|--|-----------------------------|-------------|-----------------|
| SD63-1R0M   | 1.0                                      | .05                         | 2.9         | 2.9             |
| SD63-1R5M   | 1.5                                      | .05                         | 2.6         | 2.8             |
| SD63-2R2M   | 2.2                                      | .07                         | 2.3         | 2.4             |
| SD63-3R3M   | 3.3                                      | .08                         | 2.0         | 2.0             |
| SD63-4R7M   | 4.7                                      | .09                         | 1.5         | 1.5             |
| SD63-6R8M   | 6.8                                      | .13                         | 1.2         | 1.4             |
| SD63-100M   | 10                                       | .16                         | 1.1         | 1.1             |
| SD63-150M   | 15                                       | .23                         | .90         | 1.2             |
| SD63-220M   | 22                                       | .37                         | .70         | 0.8             |
| SD63-330M   | 33                                       | .51                         | .58         | 0.6             |
| SD63-470M   | 47                                       | .64                         | .50         | 0.5             |
| SD63-680M   | 68                                       | .86                         | .40         | 0.4             |
| SD63-101M   | 100                                      | 1.27                        | .31         | 0.3             |
| SD63-151M   | 150                                      | 2.00                        | .27         | 0.25            |
| SD63-221M   | 220                                      | 3.11                        | .22         | 0.20            |
| SD63-331M   | 330                                      | 3.80                        | .18         | .16             |
| SD63-471M   | 470                                      | 5.06                        | .16         | .15             |
| SD63-681M   | 680                                      | 9.20                        | .14         | .12             |
| SD63-102M   | 1000                                     | 13.8                        | .10         | .07             |